



SUPERIOR QUALITY
AIDORU

DESIGNED FOR
RESIDENTIAL &
COMMERCIAL
INSTALLATIONS



Wall Mounts

RELIABLE
AFFORDABLE

FIXED



Our smallest mount is ideal for slimline installations for small to medium size panels. Cost effective and compact it is all you need in many situations.

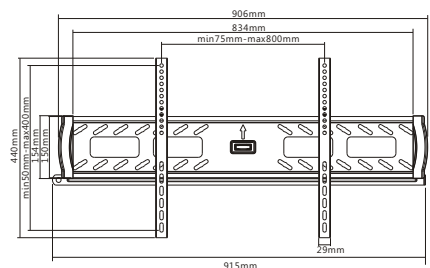
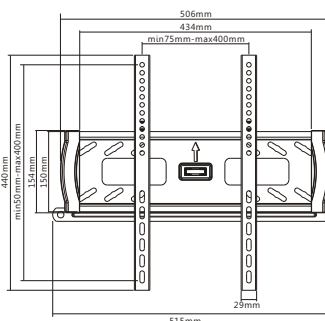
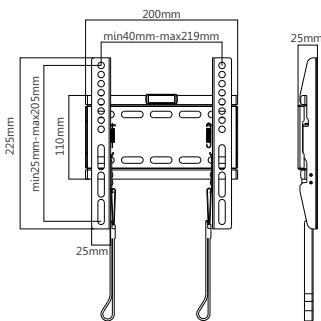


Our everyday mount for medium to large panels complete with locking bar for added security.



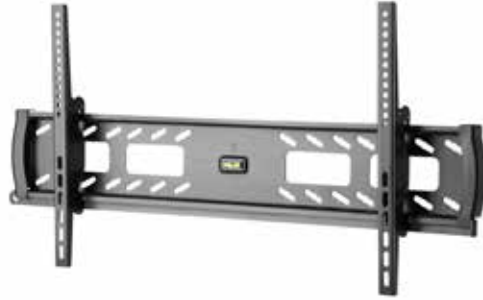
For larger panels complete with locking bar for security and peace of mind still made from heavy gauge steel.

Model	WM200F	WM400F	WM800F
Screen	24" - 42"	32" - 50"	50" to 75"
Vesa	200 x 200mm	400 x 400mm	800 x 400mm
Weigh Max	50kg	45kg	45kg
Lock Bar		Locking Bar	Locking Bar
Spirit Level	Spirit Level	Spirit Level	Spirit Level
Profile	25mm F/W	26mm F/W	26mm F/W
Material	Heavy Gauge Steel	Heavy Gauge Steel	Heavy Gauge Steel



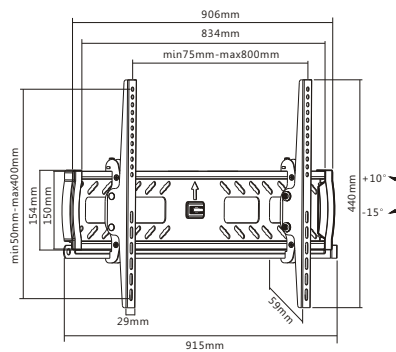
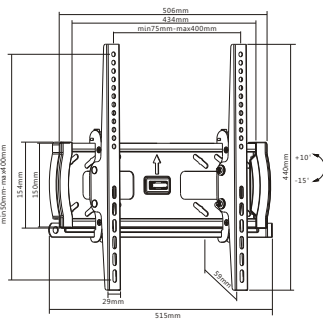


This adds the convenience of tilt to the functionality of the WM400F.



This adds the convenience of tilt to the functionality of the WM800F.

Model	WM400T	WM800T
Screen	32" - 50"	50" - 75"
Vesa Max	400 x 400mm	800 x 400mm
Weigh Max	45kg	45kg
Lock Bar	Locking Bar	Locking Bar
Spirit Level	Spirit Level	Spirit Level
Tilt	-15 to +10°	-15 to +10°
Profile	59mm F/W	59mm F/W
Material	Heavy Gauge Steel	Heavy Gauge Steel



HEAVY DUTY



This heavy duty mount will handle up to 75kg screens. Provided with locking bar and with an open back to allow easy access for wiring.

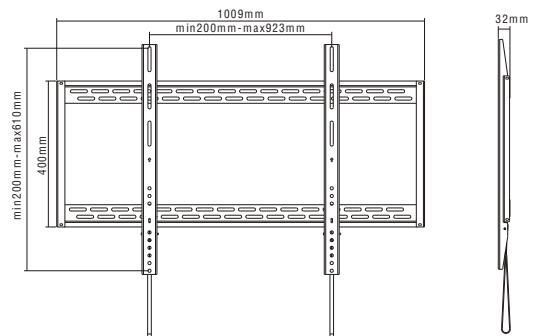
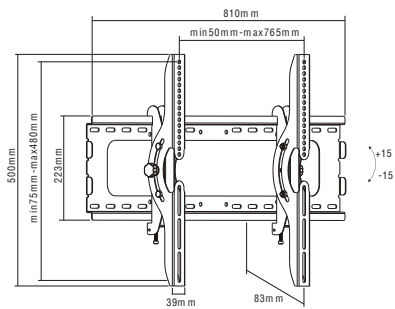
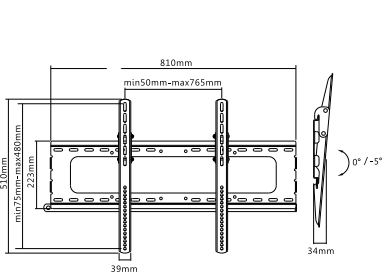


The tilt version of our heavy duty fixed mount simply adds tilting arms to this robust and practical mount.

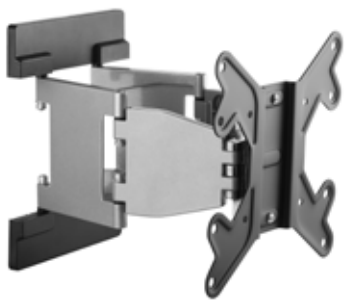


This heavy duty screen mount will handle up to 100kg screens. Provided with spring loaded quick release arms and with an open back to allow easy access for wiring.

Model	WM600FHD	WM600THD	WM900FHD
Screen	37" - 70"	37" - 70"	60" - 100"
Vesa	600 x 400mm	600 x 400mm	900 x 600mm
Weigh Max	75kg	75kg	100kg
Tilt	Fixed	-0° to +10°	Fixed
Profile	25mm F/W	40mm F/W	32mm F/W
Material	Heavy Duty Steel	Heavy Duty Steel	Heavy Duty Steel
Curved TV	Yes	Yes	Yes
Colour	Matte Black	Matte Black	Matte Black



» ARTICULATED



Super Slim Aluminum Full-Motion Curved & Flat Panel TV Wall Mount up to 43".
Extends, swivels and tilts

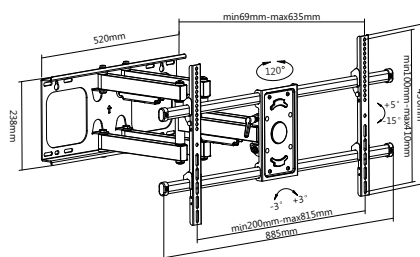
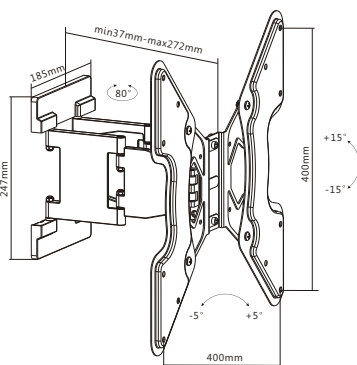
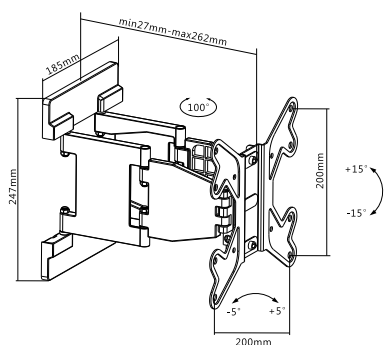


Super Slim Aluminum Full-Motion Curved & Flat Panel TV Wall Mount up to 55".
Extends, swivels and tilts



Super Slim Aluminum Full-Motion Curved & Flat Panel TV Wall Mount up to 75".
Extends, swivels and tilts

Model	WM200ART	WM400ART	WM800ART
Screen	24" - 43"	32" - 55"	40" - 75"
Vesa	200 x 200mm	400 x 400mm	400 x 400mm
Weigh Max	30kg	30kg	75kg
Tilt	-15° to 15°	-15° to 15°	-15° to +5°
Profile	37- 270mm F/W	37- 270mm F/W	69 to 635mm F/W
Material	Aluminium Steel	Aluminium and Steel	Heavy Gauge Steel
Cable Management	Cable Management	Cable Management	
Mounting Cover	Mounting Cover	Mounting Cover	





Stands Trolleys

STYLISH
DURABLE

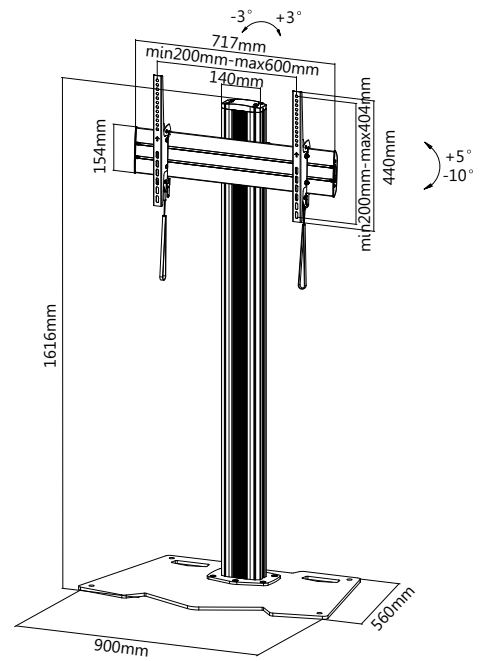
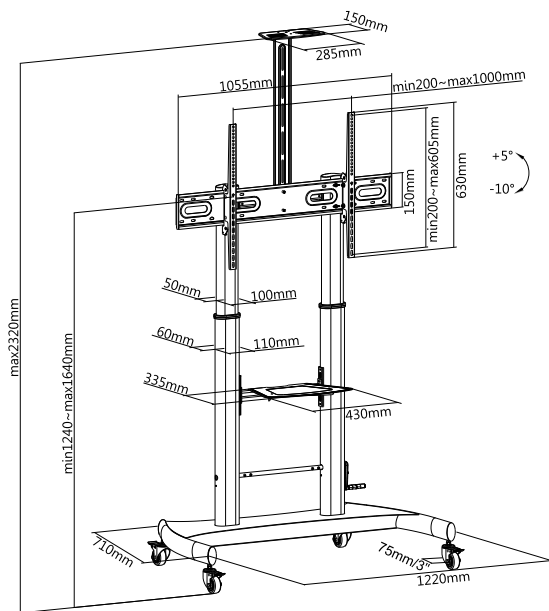


This compact footprint heavy duty steel trolley is ideal for most large to very large interactive screens. Supplied complete with camera mount and accessory shelf. As an added bonus the screen height can be adjusted with a manual crank handle.

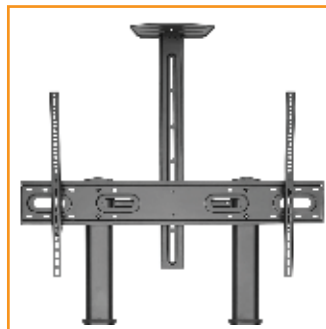


This heavy duty steel base floorstand is perfect for hire or semi permanent installations of display screens. With an aluminium extrusion centre stem including cable management it is a neat and attractive display solution.

Model	TRST-XL-ADJ	FLST
Screen	60" - 100"	37" - 70"
Vesa	1000 x 600mm	400 x 400mm
Weigh Max	100kg	65kg
Max Height	1570mm with hand crank	1616mm
Tilt	+5°~-10°	
Base	Lockable Wheel	Heavy Duty Base
Material	Aluminium/Steel	Aluminium/Steel



FEATURES



Height adjustable to fit different cameras



Lockable wheels



Height adjustment with easy crank



Quick Assemble Shelf



Other Solutions

PRACTICAL
FLEXIBLE

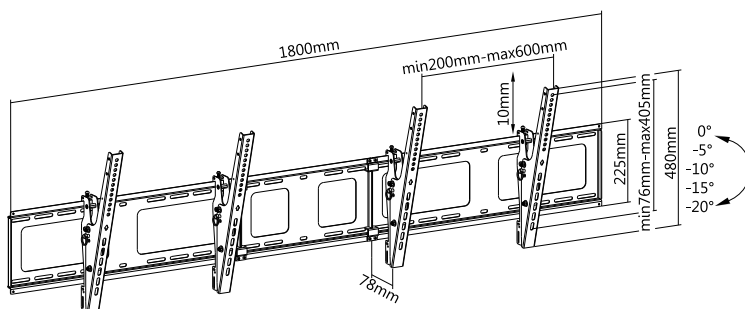


Our menuboard mount is a cost effective and simple way to mount a row of screens. Simply add the joiner to combine multiple mounts for as many screens as you need in total. Two screens can be fitted to each mount.



Create long line menuboard mounts by using the MB400-JOINER.

Model	MB400	MB400-JOINER
Screen	40" - 50"	UP TO 3 x 40" - 50"
Vesa	200 x 200mm - 600 x 400mm	600 x 400mm
Weigh Max	50kg	50kg per screen
Profile	76mm	76mm
Tilt	-15 to +10°	-15 to +10°
Material	Heavy Gauge Steel	Heavy Gauge Steel





Our telescoping ceiling mount allows suspension of up to a 55" screen from a weight bearing ceiling structure. Allowing cable management and with top plate cover it presents as an attractive solution.

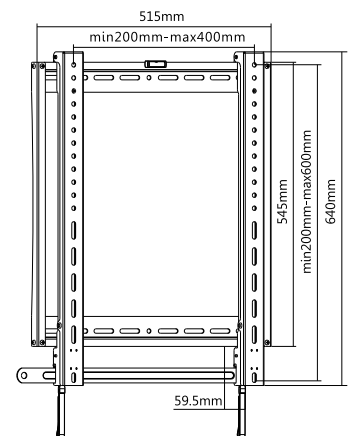
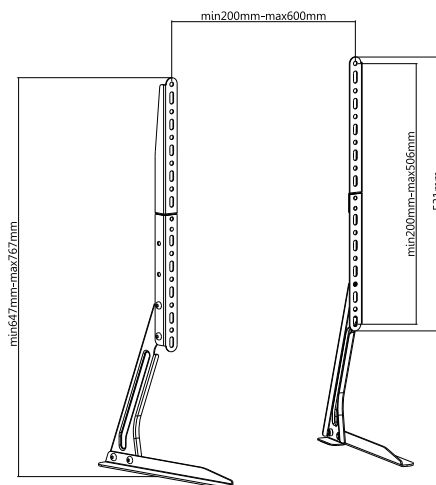
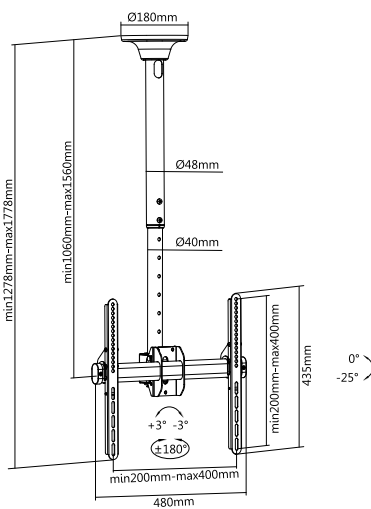


The universal table top stand simply works with the VESA pattern on any panel to provide the convenience of a table top mount.



A professional advertising display wall mount solution while offering universal compatibility. Triple anti-theft design helps to increase safety and security from theft of the display.

Model	CM400T	TS400	PM400
Screen	32" - 55"	32" - 55"	45"-70"
Vesa	400 x 400mm	600 x 400mm	200 x 200mm - 400 x 600mm
Weigh Max	50kg	50kg	50kg
Lock Bar	Locking Bar	No	Locking Bar
Spirit Level	Spirit Level	No	-
Tilt	-0 to +25°	No	-
Drop/Height	1060mm - 1560mm	467mm - 767mm	-
Profile			59.5mm
Material	Heavy Gauge Steel	Black Steel	Heavy Gauge Steel





Better

STYLE
PERFORMANCE



Swish Hospitality Pty Ltd

Level1, 101/299 Sussex St, Sydney
NSW 2000

1300 80 27 28 OR
sales@swishhospitality.com.au

